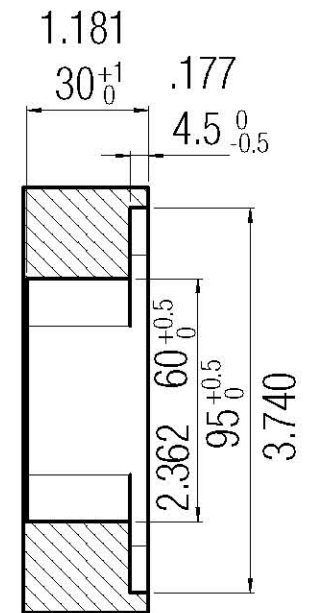
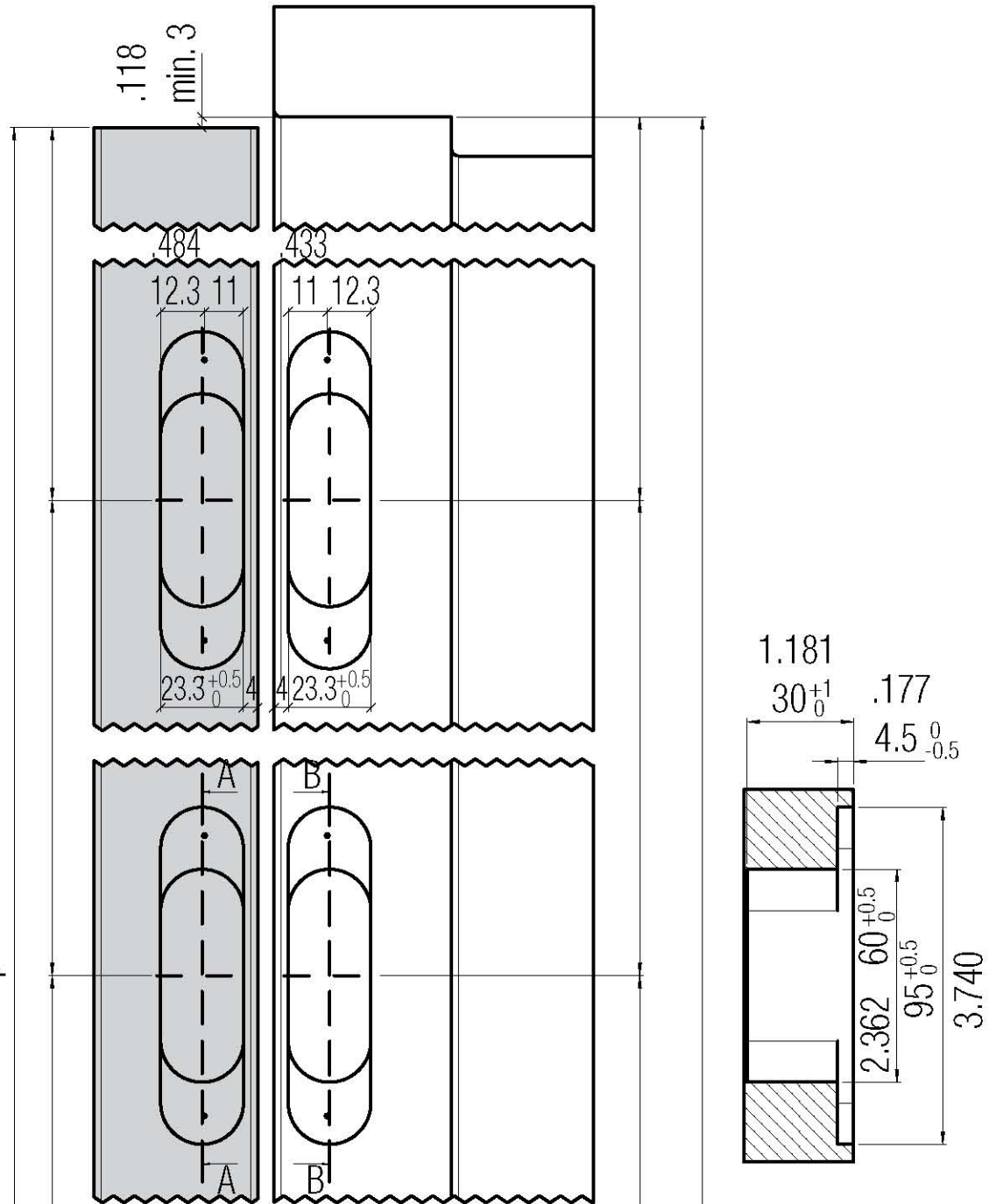
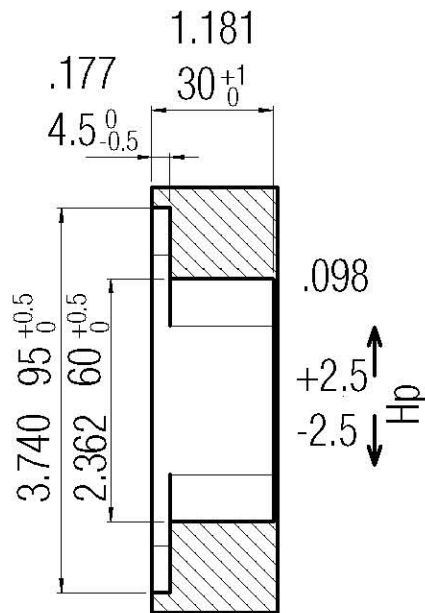


**Rocyork RY-45
Concealed Hinge**

**Templaco Template
Model RY-45-1**



Instructions for using the ROCyork Concealed Hinge router template. (RY-30, RY-45 & RY-80)

1. Reference inset "B" & "C" below: Adjust the red stops or the optional clamp-on leg on the underside of the template to match the backset position required for the hinge being installed and the thickness of the door (see the ROCyork specs for the hinge model and size being installed)
2. Attach the template to the door edge using the adjustable stops or the optional "Clamp-On Leg" against the face of the door with the nail assemblies or the "optional clamp-on leg". Make sure the top of the template is flush with the top of the door, allow the brown spacer button to "overhang" the top of the door (see "A" below). This template position is the starting point for hinge placement and puts the top hinge 7" from the top of the door.
3. Using your router with a 1/2" router bit and a 5/8" OD template guide attached to the base of the router, mortise the deep pocket between the "block off tabs" (see "A" below) depth of the deep pocket is shown on the installation sheet provided for the hinge size being installed. Remove the "block off tabs" and with your router set for the finish depth mortise for the shallow finish cut, again referring to the installation sheet for the hinge being installed.
4. Move the template to the next hinge position and repeat the mortising operation. When mortising the door jamb place the template to the top of the jamb and have the brown button contacting the top of the jamb. This will set the top hinge 3/32" down from the top of the jamb and therefore the "door clearance" to the top of the jamb.

